



NORTH CAROLINA
Distribution Center

STAIR & RAILING PRODUCTS BY

 **HOUSE OF
FORGINGS**



*Serving North and South Carolina and parts of
Virginia and Tennessee with next day deliveries.*

*This warehouse stocks our best-selling unique iron stair offerings along
with the most popular wood stair parts in the industry.*

*Our impeccably crafted styles are originally designed in
partnership with our Italian studio and created with the sense
of pride in workmanship that can only be found in an employee owned company.*

*We fashion stairs and railings from the finest materials available so that what you
provide to your clients is unsurpassed in style,
uncompromising in quality, and unmatched in elegance.*

Finishes



SATIN BLACK (STB)



OIL RUBBED BRONZE (ORB)



ASH GREY (AG)



DORADO GOLD (GD)



SATIN CLEAR (SC)
This is a clear finish over RAW/brushed iron, variation in surface color may occur.



STAINLESS STEEL (SS)



BRASS (Satin Polish)

IRON BALUSTERS

Horizontal Collection

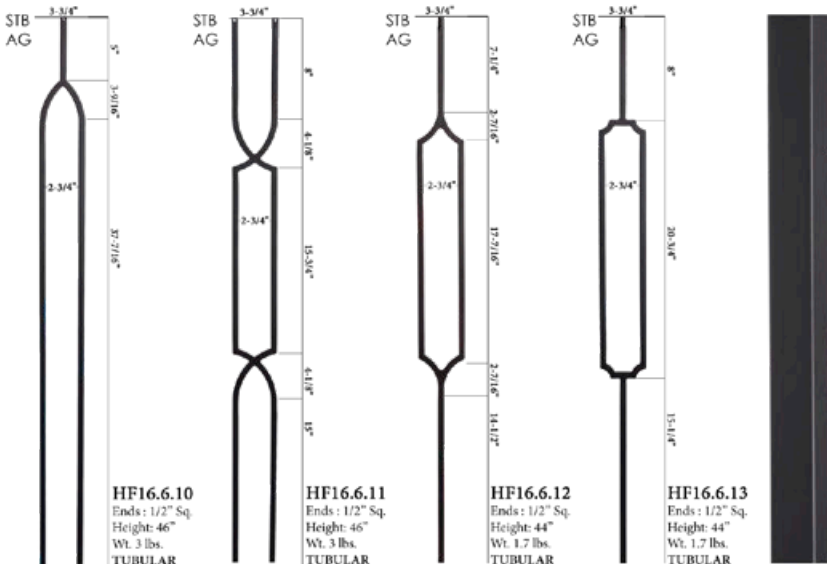
STAINLESS STEEL	HFSS5.1.1	304 Grade Stainless Steel Tubular Bar 5/8" Dia x 8" Satin Polish Finish
ASH GREY	HFAG5.1.1	Powder Coated Tubular Round Bar 5/8" Dia. x 8"
OIL RUBBED BRONZE	HFORB5.1.1	Powder Coated Tubular Round Bar 5/8" Dia. x 8"
SATIN BLACK	HFSTB5.1.1 (.078" - 2mm)	Powder Coated Tubular Round Bar 5/8" Dia. x 8"
SATIN BLACK	HFSTB7.1.1-IS (.039" - 1mm)	Powder Coated Tubular Round Bar 5/8" Dia. x 8"
SATIN BLACK	HFSTB8.1.1 (.059" - 1.5mm)	Powder Coated Tubular Round Bar 5/8" Dia. x 6"
EXTERIOR		6ft.

Aluminum Exterior Powder Coating - A6063 - ISO11341:2004 - ISO2813:1994



Newsels: RO-4000, Handrail: RO-6084, Balusters: HFSS5.1.1

Harmony Collection



Foundation Collection



configuration options for your style



BALUSTER SATIN BLACK - (Powder coated)
BALUSTER HFSTB16.4.1 Diameter : 20mm Rd. Length: 8" Wt. .3 lbs.
NEWEL HFSTB16.4.3 Diameter : 35mm Rd. Length: 8" Wt. .75 lbs.

sleeves

BALUSTER HF18.4.1 Diameter : 20mm Rd. Length: 8" Wt. .35 lbs.
NEWEL HF18.4.3 Diameter : 35 mm Rd. Length: 8" Wt. .75 lbs.

BALUSTER HF17.4.1 Diameter : 20mm Rd. Length: 8" Wt. .3 lbs.
NEWEL HF17.4.3 Diameter : 35mm Rd. Length: 8" Wt. .75 lbs.

newel mounting kit
flange covers

Fits 1-3/16" Round Newels
Diameter: 4.13" Height: .7"



SATIN BLACK
HFSTB16.4.5
 Also available in Ash Grey.



BRASS
HF18.4.5



STAINLESS STEEL
HF17.4.5



Replacement set screws
Satin Black, Brass, Stainless Steel

balusters/newels

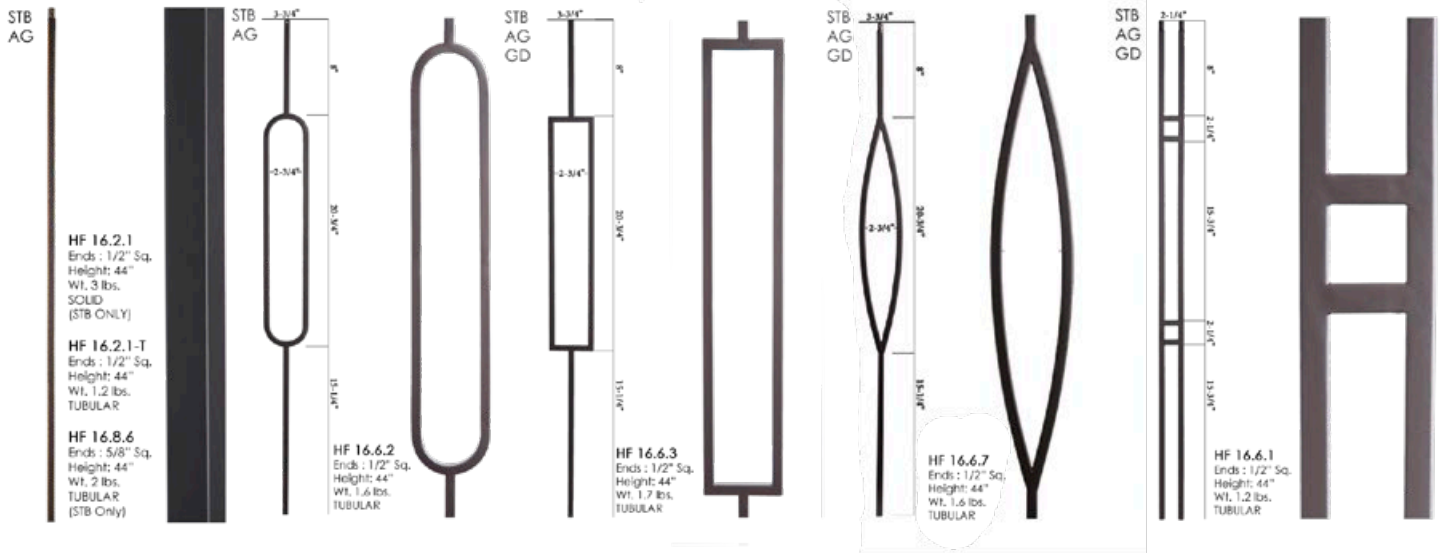
BALUSTER HFSTB16.8.1 Diameter : 5/8" Rd. Tubular Length: 44" Wt. 1.35 lbs.
NEWEL HFSTB16.5.11-T Diameter : 1-3/16" Rd. Tubular Length: 47" Wt. 4.8 lbs.

BALUSTER HF18.8.1 Diameter : 5/8" Rd. Tubular Length: 44" Wt. 1.45 lbs.
NEWEL HF18.8.3 Diameter : 1-3/16" Rd. Tubular Length: 47" Wt. 5.7 lbs.

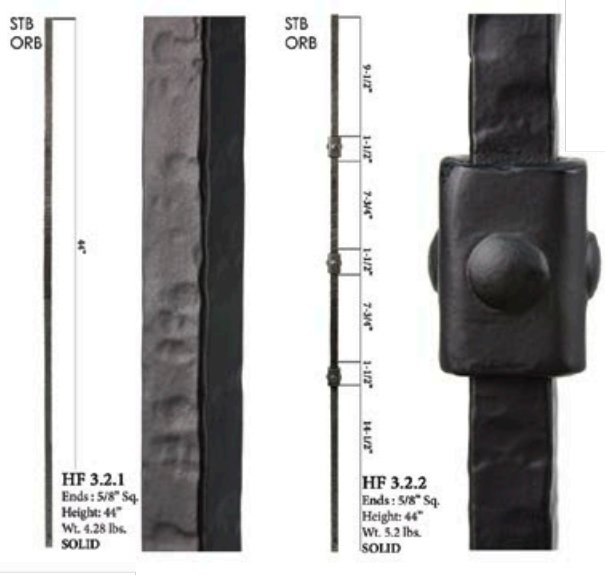
BALUSTER HF17.8.1 Diameter : 5/8" Rd. Tubular Length: 44" Wt. 1.2 lbs.
NEWEL HF17.1.2-T Diameter : 1-3/16" Rd. Tubular Length: 47" Wt. 5.7 lbs.

Passivated to minimize tarnishing, use gloves when handling

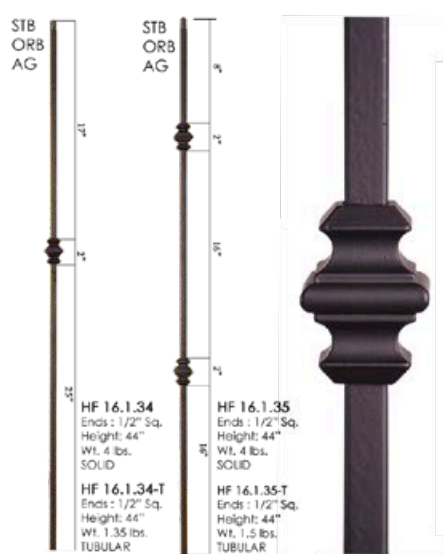
Aalto Collection



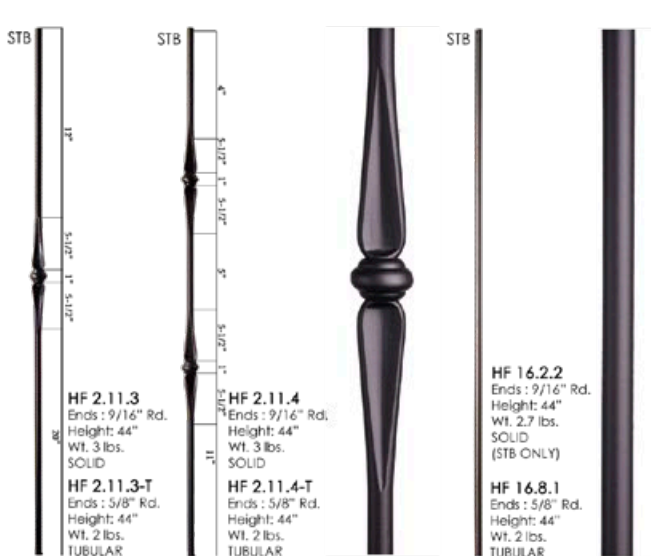
Wentworth Collection



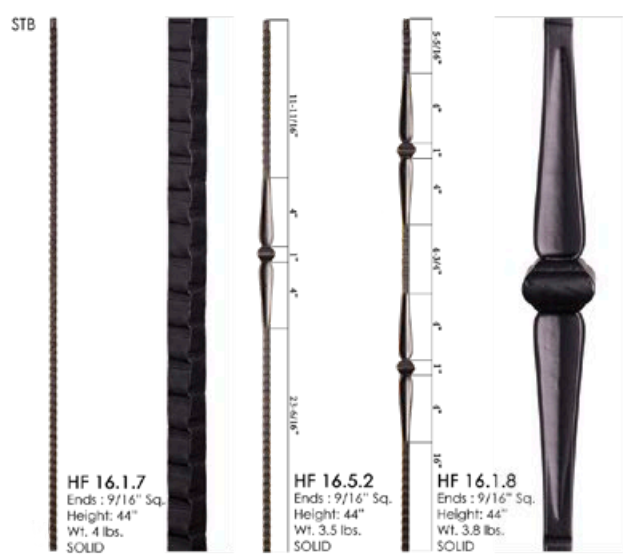
Versatile Series



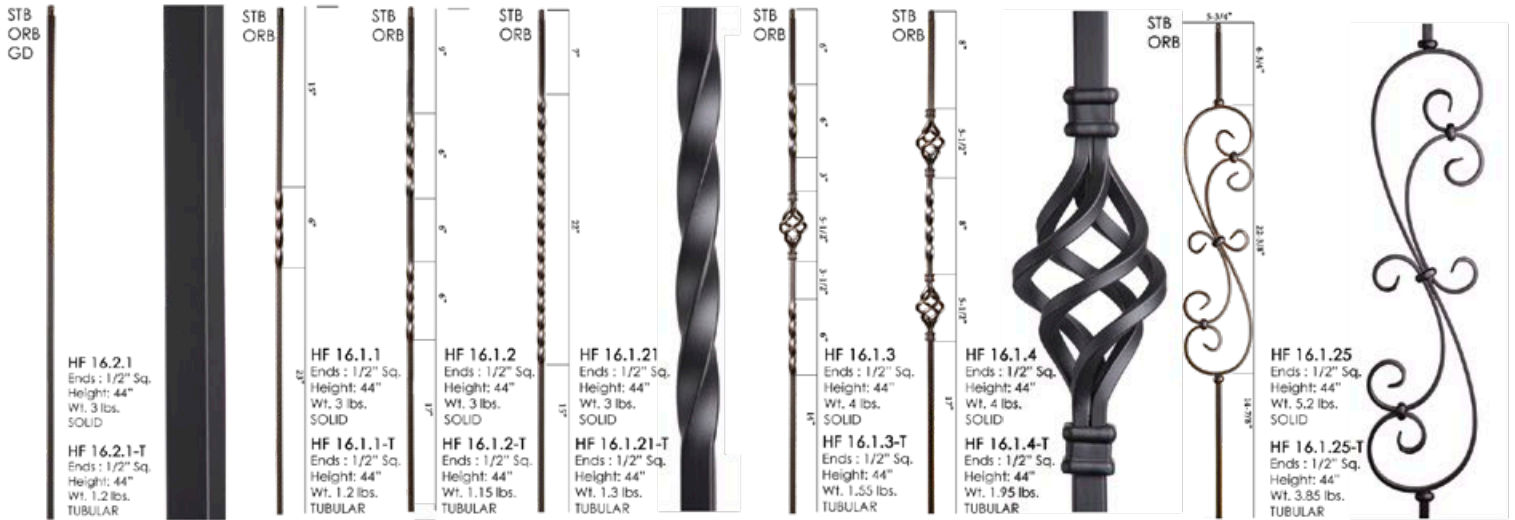
Round Series



Gothic Series



Twist & Basket Series



Round Hand Forged Series



Round Hand Forged Series



Square Hand Forged Series

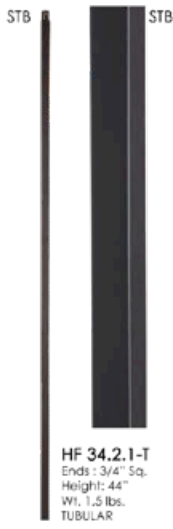






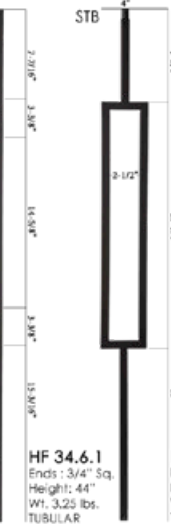



Mega Series




Pint tip
Diameter : 5/8"
Height: 3/4"


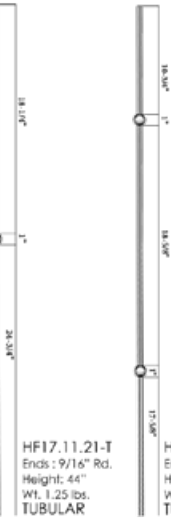

Tubular Bar Specifications
Superior 18 gauge wall thickness
(1/20" / 1.27mm)

 <p>HF 34.2.1-T Ends : 3/4" Sq. Height: 44" Wt. 1.5 lbs. TUBULAR</p>	 <p>HF 34.1.1-T Ends : 3/4" Sq. Height: 44" Wt. 1.5 lbs. TUBULAR</p>	 <p>HF 34.1.2-T Ends : 3/4" Sq. Height: 44" Wt. 1.5 lbs. TUBULAR</p>	 <p>HF 34.1.3-T Ends : 3/4" Sq. Height: 44" Wt. 2.45 lbs. TUBULAR</p>	 <p>HF 34.1.4-T Ends : 3/4" Sq. Height: 44" Wt. 3.35 lbs. TUBULAR</p>	 <p>HF 34.1.25-T Ends : 3/4" Sq. Height: 44" Wt. 5.05 lbs. TUBULAR</p>	 <p>HF 34.1.34-T Ends : 3/4" Sq. Height: 44" Wt. 1.75 lbs. TUBULAR</p>	 <p>HF 34.1.35-T Ends : 3/4" Sq. Height: 44" Wt. 2 lbs. TUBULAR</p>	 <p>HF 34.6.1 Ends : 3/4" Sq. Height: 44" Wt. 3.25 lbs. TUBULAR</p>	<p>HF 34.6.3 Ends : 3/4" Sq. Height: 44" Wt. 2.35 lbs. TUBULAR</p>
---	--	--	---	---	---	--	---	---	---

Monte Carlo

 <p>HF 18.1.1-T Ends : 1-3/16" Rd. Height: 48" Wt. 18.55 lbs. TUBULAR</p>	 <p>HF 18.2.1-T Ends : 5/8" Rd. Height: 44" Wt. 1.75 lbs. TUBULAR</p>	 <p>HF 18.2.2-T Ends : 5/8" Rd. Height: 44" Wt. 1.50 lbs. TUBULAR</p>
---	--	--

Stainless Steel

 <p>HF17.11.5-T Ends : 9/16" Rd. Height: 44" Wt. 1.25 lbs. TUBULAR</p>	 <p>HF17.11.21-T Ends : 9/16" Rd. Height: 44" Wt. 1.25 lbs. TUBULAR</p>	 <p>HF17.11.23-T Ends : 9/16" Rd. Height: 44" Wt. 1.25 lbs. TUBULAR</p>
--	--	--

Iron Newels

 <p>HF 1.1.14-T Ends : 1" Sq. Height: 47-1/4" Wt. 2.3 lbs. TUBULAR</p>	 <p>HF 1.1.22 Ends : 1" Rd. Height: 47-1/4" Wt. 18 lbs. SOLID</p>	 <p>HF 16.5.8 Ends : 1-3/16" Sq. Height: 48" Wt. 19 lbs. SOLID</p>	 <p>HF 16.5.8-T Ends : 1-3/16" Sq. Height: 48" Wt. 4.8 lbs. TUBULAR</p>	 <p>HF 16.5.11 Ends : 1-3/16" Rd. Height: 48" Wt. 19 lbs. SOLID</p>	 <p>HF17.1.2-T Ends : 1-3/16" Rd. Height: 47" Wt. 5.7 lbs. TUBULAR</p>
---	---	--	---	---	---

Iron Accessories

Newel Mount Handrail Bracket



HF17.4001
Stainless Steel(304)
HT. 1-3/4"
Base = 1-1/2" sq.
ADJUSTABLE

HFSTB17.4001
Satin Black
HT. 1-3/4"
Base = 1-1/2" sq.
ADJUSTABLE

Wall Mount Handrail Bracket



HF17.4002
Stainless Steel(304)
HT. 2-1/2"
Base = 1-1/2" x 2"
Extends 3-1/4" off wall
ADJUSTABLE

HFSTB17.4002
Satin Black
HT. 2-1/2"
Base = 1-1/2" x 2"
Extends 3-1/4" off wall
ADJUSTABLE

Wall Mount Handrail Bracket

STB
AG
ORB
BC



HF3003
Handrail bracket, 2-1/16" round mounting plate, extends out 3" from wall, aluminum

Iron Shoes



HF16.3.19
Level base shoe with set screw, fits 1/2" square balusters, 1-5/16" square base, aluminum



HF16.3.25
Level base shoe with set screw, fits 9/16" Tuscan square balusters, 1-1/4" square base, cast iron



HF16.3.26
Level base shoe with set screw, fits 9/16" round balusters, 1-1/4" square base, cast iron



HF16.3.38
Level base shoe with set screw, fits 5/8" square balusters, 1-1/4" square base, cast iron



HF16.3.50
Level base shoe with set screw, fits 5/8" round balusters, 1-5/16" square base, aluminum



HF34.3.19
Level base shoe with set screw, fits 3/4" square balusters, 1-7/8" square base, aluminum



HF16.3.2
Angled base shoe with set screw, fits 1/2" square balusters, 1-5/16" base, aluminum



HF16.3.28
Angled base shoe with set screw, fits 9/16" Tuscan square balusters, 1-1/4" base, cast iron



HF16.3.27
Angled base shoe with set screw, fits 9/16" round balusters, 1-1/4" base, cast iron



HF16.3.39
Angled base shoe with set screw, fits 5/8" square balusters, 1-1/4" base, cast iron



HF16.3.51
Angled base shoe with set screw, fits 5/8" round balusters, 1-5/16" base, aluminum



HF34.3.2
Angled base shoe with set screw, fits 3/4" square balusters, 1-7/8" base, aluminum



HF16.3.60
Level Base Collar - ALUMINUM
Base : 1-9/16" Rd. - Height: 3/8"
HF16.3.9
Level Base Collar - CAST IRON
Base : 1-9/16" Rd. - Height: 3/8"



HF16.3.61
Angled Base Collar - ALUMINUM
Base : 1-9/16" Rd. - Height: 3/8"



HF16.3.10
Level Base Collar - CAST IRON
Base : 1.57" Rd. - Height: .32"



HF16.3.12
Level Base Collar - CAST IRON
Base : 1.57" Rd. - Height: .32"



HF34.3.16
Level Base Collar - CAST IRON
Base : 2" Rd. - Height: 3/8"



HF16.3.70
Angled Base Collar - ALUMINUM
Base : 1.33" Sq. - Height: .35"



HF16.3.71
Angled Base Collar - ALUMINUM
Base : 1.33" Sq. - Height: .35"

Iron Newel Mounting Kits



HF16.2.3
Newel mounting kit with level base shoe, fits 1-3/16" square newels, 3-1/8" square base, cast iron



HF16.3.14
Newel mounting kit with level base shoe, fits 1-3/16" round newels, 3-1/8" square base, cast iron



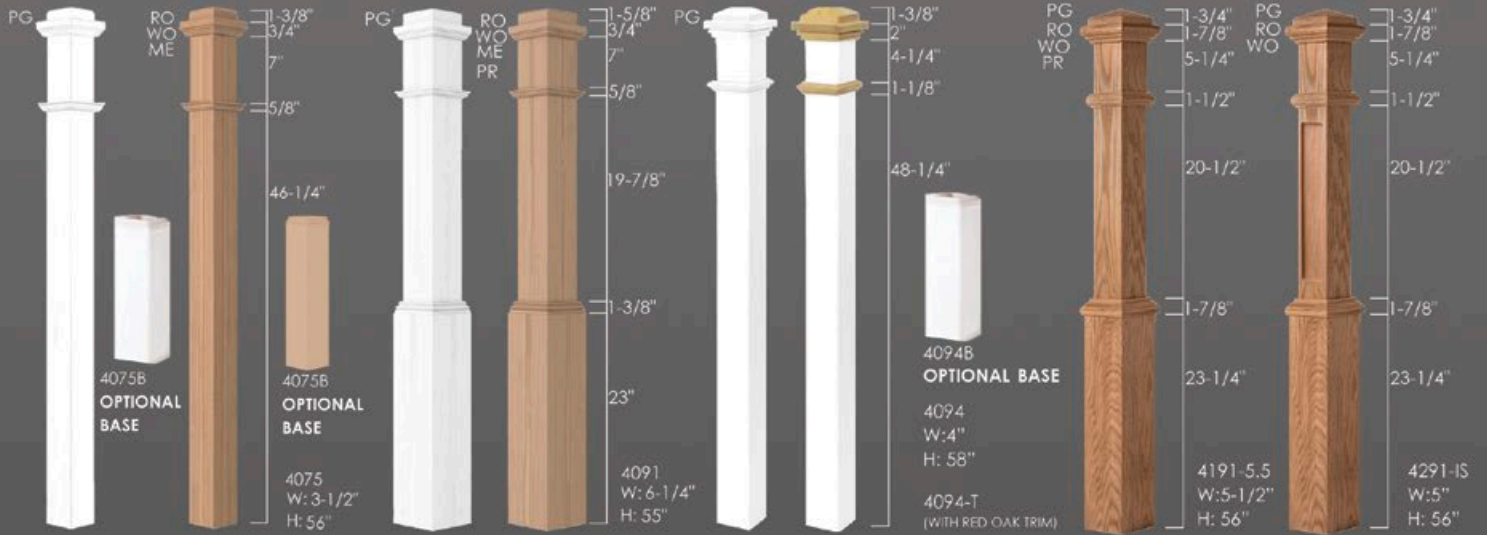
HF16.3.31
Newel mounting kit with level base shoe, fits 1" square newels, 3-1/8" square base, cast iron



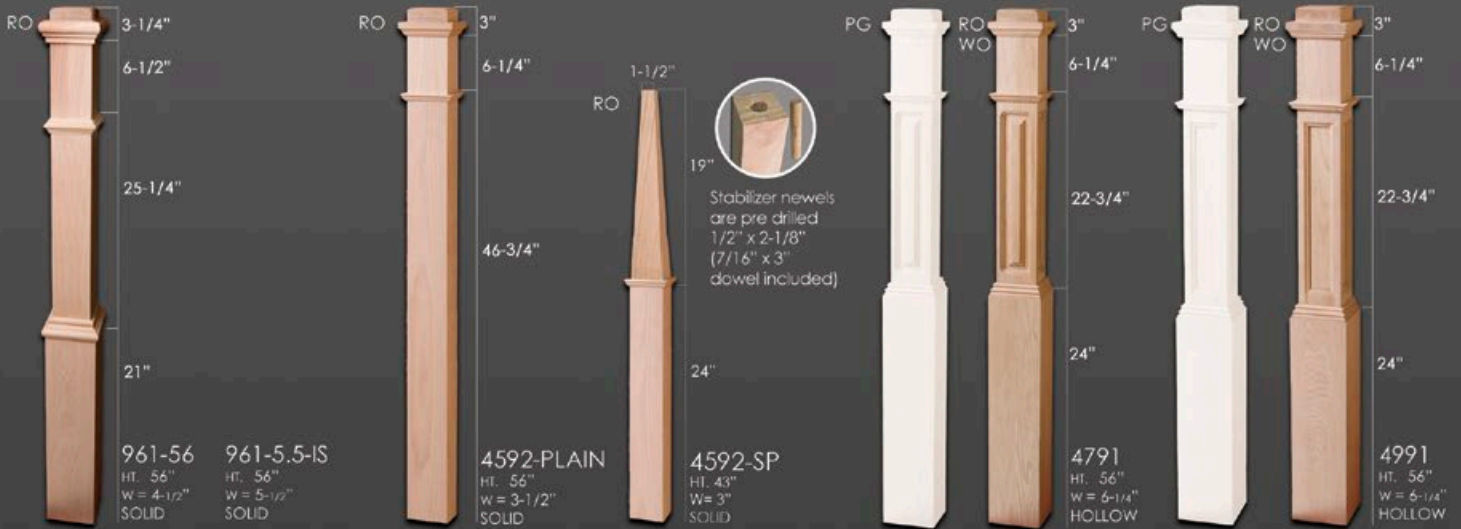
HF16.3.33
Newel mounting kit with level base shoe, fits 1" round newels, 3-1/8" square base, cast iron

WOOD NEWELS

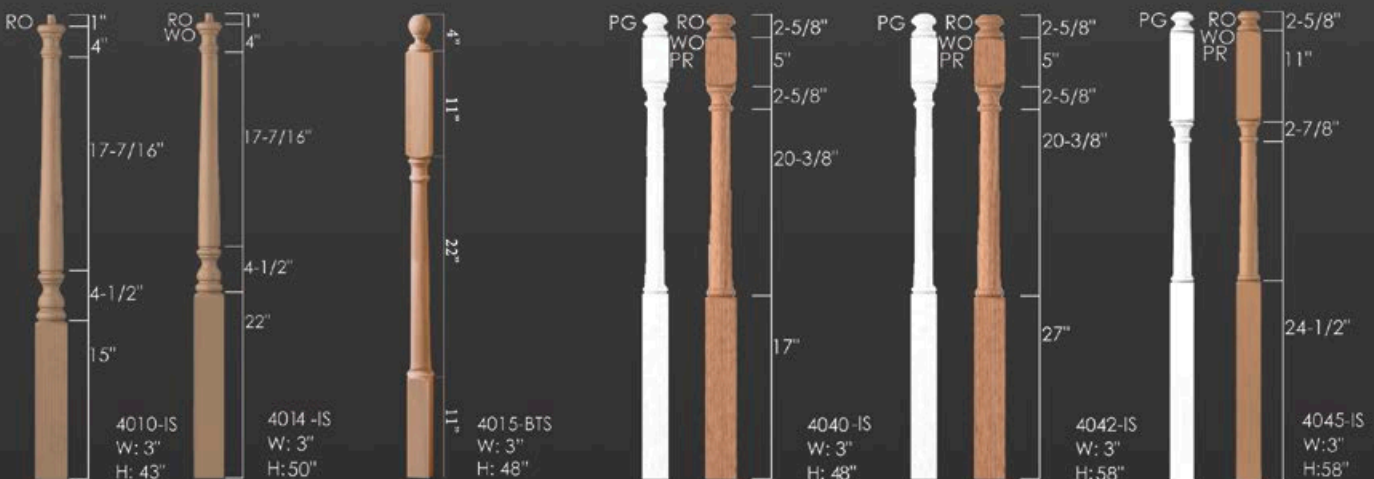
Box Newels



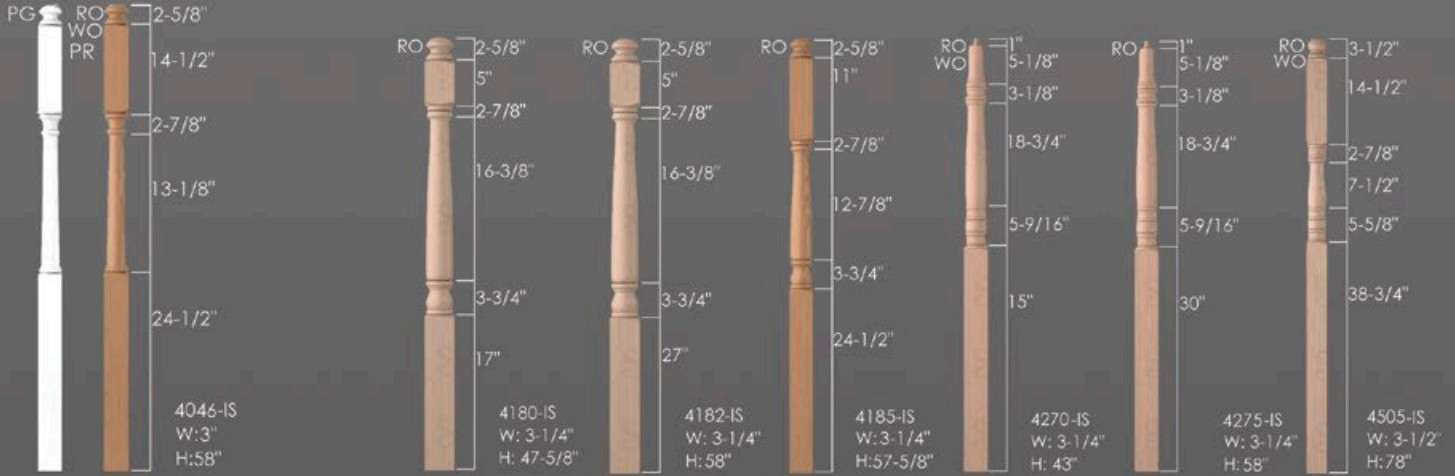
Box Newels



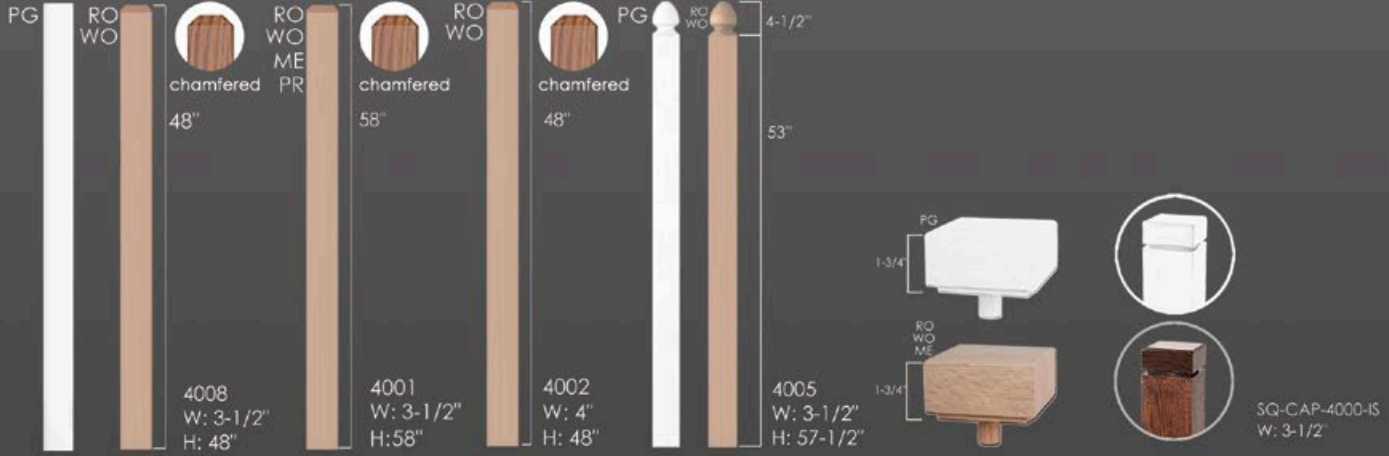
Wood Turnings



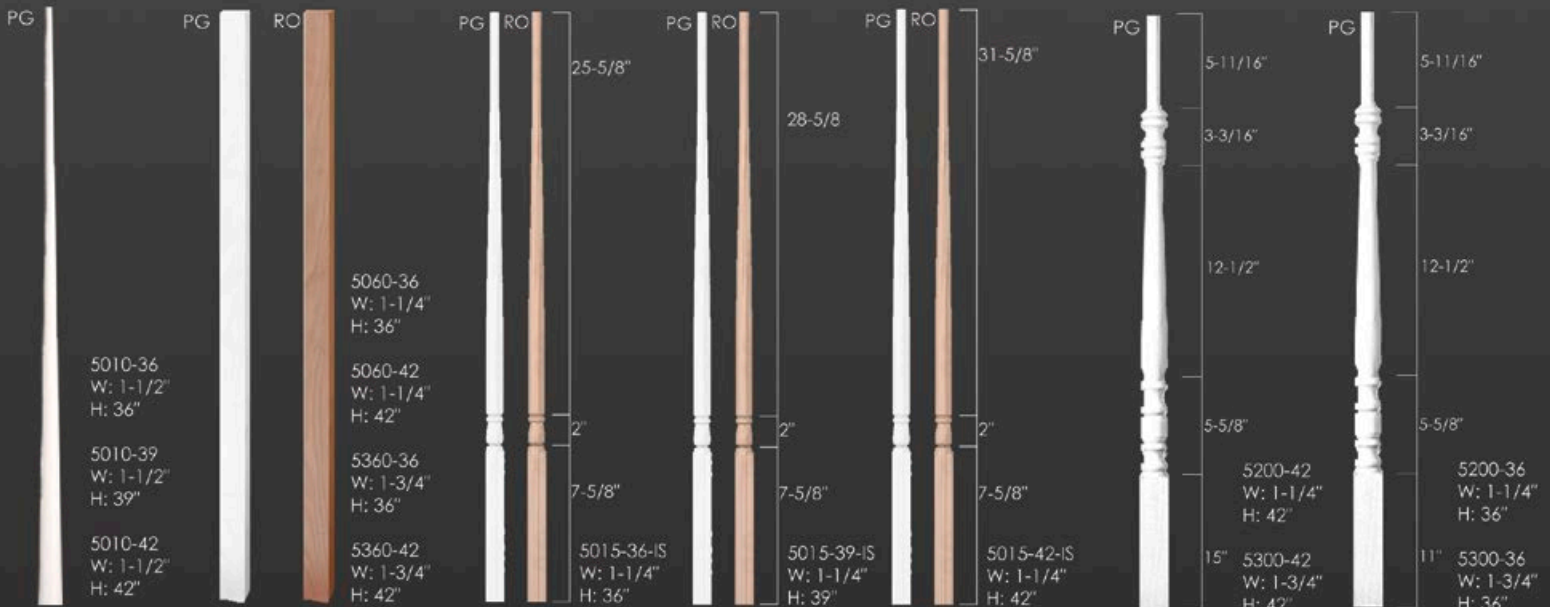
Wood Turnings



Blank Newels



WOOD BALUSTERS





Box Newels Non removable caps - Stocked in Red Oak and White Oak



PR

Modern Box Newel Small
4400
HT. 56"
W = 3-1/4"
SOLID

Modern Box Newel Large
5400
HT. 56"
W = 7-1/2"
SOLID

Shown with optional base 4-1/2" x 21-3/4" (sold separately)
BASE-4000

Shown with optional base 6-1/2" x 21-3/4" (sold separately)
BASE-5000

Routed Newels Non removable caps - Stocked in Red Oak and White Oak



PR

Modern Routed Newel
4900
HT. 56"
W = 3-1/4"
SOLID

Modern Routed Newel
5900
HT. 56"
W = 7-1/2"
SOLID

Shown with optional base 4-1/2" x 21-3/4" (sold separately)
BASE-4000

Shown with optional base 6-1/2" x 21-3/4" (sold separately)
BASE-5000

Blank Newel Caps

Available for: 3-1/4" and 5-1/2" blank newels
 Stocked in Red Oak and White Oak - Sold separately



Size	SQUARE	PYRAMID	STACKED	COVE
3-1/4" Square Newels	SQUARE-CAP-4000 HT. 1-3/4" W= 3-1/4"	PYRAMID-CAP-4000 HT. 1-9/16" W= 3-1/4"	STACKED-CAP-4000 HT. 2-1/4" W= 3-1/4"	COVE-CAP-4000 HT. 2-1/2" W= 4-5/8"
5-1/2" Square Newels	SQUARE-CAP-5000 HT. 2" W= 5-1/2"	PYRAMID-CAP-5000 HT. 1-5/8" W= 5-1/2"	STACKED-CAP-5000 HT. 2-3/4" W= 5-1/2"	COVE-CAP-5000 HT. 2-7/8" W= 6-7/8"

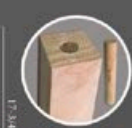
Newel Bases

Stocked in Red Oak and White Oak



Blank Newels

Stocked in Red Oak and White Oak



Stabilizer newels are pre drilled 1/2" x 2-1/8" (7/16" x 3" dowel included)

Blank Balusters

Stocked in Pre-finished White, Red Oak and White Oak



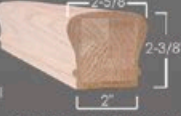
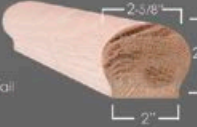
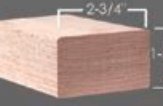
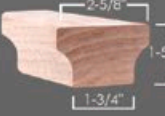





Blank Newel Options: Caps / Bases

3-1/4" and 5-1/2" blank newels shown with optional bases and caps - sold separately
 Additional configuration options available.



WOOD HANDRAILS

<p>RO WO ME PR</p> <p>6040</p> <p>Round Wall Rail Diameter: 1-5/8"</p> 	<p>RO WO ME PR</p> <p>6010</p> <p>Colonial Hand Rail HT: 2-3/8" W: 2-1/4"</p> <p>Solid Cap and Engineered Ploved Available</p> 	<p>RO WO ME</p> <p>6210</p> <p>Traditional Hand Rail HT: 2-3/8" W: 2-5/8"</p> <p>Solid Cap and Engineered</p> 	<p>RO WO PR ME</p> <p>6610</p> <p>Transitional Hand Rail HT: 2-1/4" W: 2-5/8"</p> <p>6610 Straight Rail 6610-B Bending Rail Solid Cap</p> 	<p>RO WO PR ME</p> <p>6002</p> <p>Modern Hand Rail HT: 1-5/8" W: 2-3/4"</p> <p>6002 Straight Rail no fittings available Solid Cap</p> 	<p>RO WO PR ME</p> <p>6084</p> <p>Modern Hand Rail HT: 1-5/8" W: 2-5/8"</p> <p>6084 Straight Rail Solid Cap</p> 	<p>RO WO</p> <p>6810</p> <p>Georgian Hand Rail HT: 2-17/64" W: 2-21/32"</p> <p>6810 Straight Rail 6810-B Bending Rail Solid Cap</p> 	<p>RO WO</p> <p>6284</p> <p>Modern Hand Rail HT: 2-1/4" W: 2-3/8"</p> <p>6284 Straight Rail no fittings available Solid Cap</p> 	<p>RO WO</p> <p>6484</p> <p>Modern Hand Rail HT: 2-1/4" W: 2-1/4"</p> <p>6484 Straight Rail no fittings available Solid Cap</p> 
---	---	--	--	--	--	--	--	--

WOOD FITTINGS

<p>RETURNED END</p> <p>7009-IS 7209-IS</p> 	<p>START EASING WITH CAP</p> <p>7010-IS 7210-IS</p> 	<p>LEVEL QUARTER TURN WITH CAP</p> <p>7621 7821</p> 	<p>LEVEL QUARTER TURN</p> <p>7011-IS 7211-IS 7611 7811 7411</p> 	<p>UP EASING</p> <p>7012-IS 7212-IS 7612 7812 7412</p> 
<p>OVER EASING</p> <p>7013-IS 7213-IS 7613 7813 7413</p> 	<p>OPENING CAP</p> <p>7019-IS 7219-IS</p> 	<p>TANDEM CAP</p> <p>7020-IS 7220-IS 7620 7820</p> 	<p>S-TURN LEFT</p> <p>7022-L-IS 7222-L-IS</p> 	<p>S-TURN RIGHT</p> <p>7022-R-IS 7222-R-IS</p> 
<p>LEFT HAND VOLUTES</p> <p>7030-IS 7230-IS</p> 	<p>RIGHT HAND VOLUTES</p> <p>7035-IS 7235-IS</p> 	<p>LEFT HAND TURNOUTS</p> <p>7040-IS 7240-IS</p> 	<p>RIGHT HAND TURNOUTS</p> <p>7045-IS 7245-IS</p> 	
<p>2 RISE LEFT HAND GOOSENECK</p> <p>7071-IS 7271-IS</p> 	<p>2 RISE RIGHT HAND GOOSENECK</p> <p>7076-IS 7276-IS</p> 	<p>2 RISE LEFT HAND GOOSENECK WITH CAP</p> <p>7081-IS 7281-IS</p> 	<p>2 RISE RIGHT HAND GOOSENECK WITH CAP</p> <p>7086-IS 7286-IS</p> 	
<p>2 RISE STRAIGHT GOOSENECK WITH CAP</p> <p>7088-2-IS 7288-2-IS</p> 	<p>2 RISE STRAIGHT GOOSENECK</p> <p>7099-IS 7299-IS 7699 7899</p> 			

ALL WOOD FITTINGS AVAILABLE IN RO AND WO.

TREADS & STARTER STEPS

Treads

Double Mitered Return Tread (DMR)
Overall length does not include mitered return

8070-48-DMR 48" OVERALL 11-1/2" WIDE
8070-54-DMR 54" OVERALL

Mitered Return Tread (Reversible)
Overall length does not include mitered return

8070-48-MR 48" OVERALL 11-1/2" WIDE
8070-60-MR 60" OVERALL

Bull Nose Tread

8070-42 42" OVERALL (ALSO AVAILABLE IN MAPLE)
8070-48 48" OVERALL
8070-54 54" OVERALL
8070-60 60" OVERALL (ALSO AVAILABLE IN MAPLE)
8070-72 72" OVERALL

SQUARE TREADS

8070-42-SQ 11-1/2" X 42" OVERALL
8070-54-SQ 11-1/2" X 54" OVERALL
8070-60-SQ 11-1/2" X 60" OVERALL

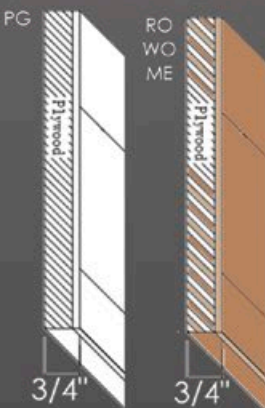
SQUARE TREADS

Overall length does not include mitered return

Single Mitered Return
RED OAK 8070-48-MR-SQ 11-1/2" X 48" OVERALL
RED OAK 8070-54-MR-SQ 11-1/2" X 54" OVERALL

Double Mitered Return
WHITE OAK 8070-48-MR-SQ 11-1/2" X 48" OVERALL
WHITE OAK 8070-54-MR-SQ 11-1/2" X 54" OVERALL

Skirtboard & Risers



Mitered Return Tread Cap

RO 5-1/4" 12-3/8" 17" 6-3/8"

8071L (Left Hand)
8071R (Right Hand)

40012 11-1/2" X 12"
40016 11-1/2" X 16"
SKIRTBOARD

8075-48 7-1/2" X 4'
8075-60 7-1/2" X 5'
RISERS
(ALSO AVAILABLE IN PR)

Double End Starting Step

Overall Throat 10 1/2" | 10 1/2"

RO WO 13"

Overhead view

1" 7"

8015-48 (48" THROAT) 69" OVERALL
8015-54 (54" THROAT) 75" OVERALL
8015-60 (60" THROAT) 81" OVERALL

Single End Starting Step

Overall Throat 10 5/8"

RO WO 17 3/4"

Overhead view

Reversible

8030-48 (6 1/4" X 48" THROAT) 58 5/8" OVERALL
8030-60 (6 1/4" X 60" THROAT) 70 5/8" OVERALL

False End Starting Steps

RO WO

8012 REPLACEMENT COVE & SHOE MOLDINGS

8011 NO NOTCH (11 1/2" X 16 1/2") INCLUDES COVE & SHOE MOLDINGS

Overall Throat 13 5/8" | 13 5/8"

RO WO 17 3/4"

Overhead view

1" 7"

8050-54 WIDTH 17 3/4"
THROAT 48"- 54") 75-1/4" OVERALL
8050-60 WIDTH 17 3/4"
THROAT 54"- 60") 81 1-1/4" OVERALL

8017-54 WIDTH 13"
(THROAT 48" 54") 75" OVERALL

Overall Throat 8 5/8"

RO WO 13"

Overhead view

Reversible

8010-48 (48" THROAT) 58 1/2" OVERALL
8010-60 (60" THROAT) 70 1/2" OVERALL
8010-72 (72" THROAT) 82 1/2" OVERALL

Bull Nosed Landing Tread

WIDTH Profile view 3/4"

RO WO 1" ME 1-1/4" THROAT

8091-8 5-1/4" WIDTH 4" THROAT Length 8'
8091-12 5-1/4" WIDTH 4" THROAT Length 12'
8091-16 5-1/4" WIDTH 4" THROAT Length 16'

8090-8 3-1/2" WIDTH 2" THROAT Length 8'
8090-12 3-1/2" WIDTH 2" THROAT Length 12'
8090-16 3-1/2" WIDTH 2" THROAT Length 16'

1" Bull Nosing

RO WO ME

8080-IS 1-1/4" X 13"

WOOD ACCESSORIES

Rosettes



7033
RECTANGULAR
ROSETTE
4" X 5-1/2"



7037
OVAL ROSETTE
4" X 5 1/2"



7039
SQUARE ROSETTE
4" X 4"

Plugs



9002 (1/2")
9005 (1")
OAK PLUGS

Wood Species



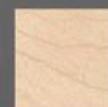
Red Oak (RO)



Prefinished White (PG)



White Oak (WO)



Maple (ME)



Poplar (PR)

EPOXY GUN-EPC-101



EPOXY-EPC-410 EPC-410-BLACK



EPOXY PASTE EPC-7

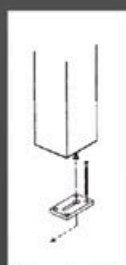


NEWEL FASTENER S-9403-HOF



Sure Tite

NEWEL FASTENER S-9401



Key Lock

WOOD GLUE & FILLER



FAM-O-WOOD
RO-9208 (Red Oak)

S-9202
(1 Gal.)

S-9203
(32 oz.)

S-9204
(16 oz.)

S-9205
(8 oz.)

S-9200

DOWEL SCREW

C-905-2 (25 per bag)



DRIVER

C-905-2D
(fits wood screw thread)



sold individually

RAIL BOLT KIT

S-9600

(Includes hex nut, spacer
and 1" Red Oak plug)



RAIL BOLT DRIVER

S-9600-D

(fits machine thread)



sold individually

ROUND SERIES | POSTS | MOUNTING OPTIONS

COD.	Ø	ØBase	Height
AX10.001.001.A.SP	42.4 mm	101 mm	1000 mm (39-3/8")

Round post - floor mounted

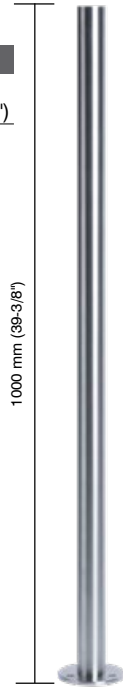
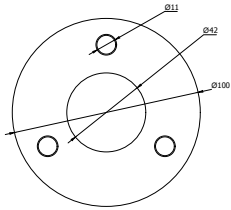
Weight:
2.34 kgs (5.15 lbs)



Flange cover included



3 per location



ROUND SERIES | TUBE HANDRAIL



COD.	Ø	L
AX10.004.063.3000.A.SP	42.4 x 2 mm	3000 mm (9'-10")
AX10.004.065.5800.A.SP	42.4 x 2 mm	5800 mm (19')

Round tube handrail/post

Weight:
6.2 kgs (13.64 lbs)
11.9 kgs (26.18 lbs)

SQUARE SERIES | POST OPTIONS

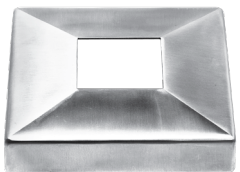
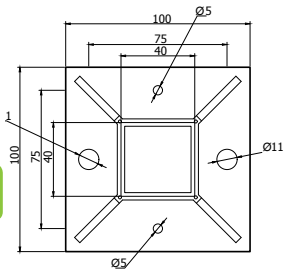
COD.	Ø	ØBase
AX20.001.010.A.SP	40 x 40 x 2 mm	100 x 100 mm

Square post

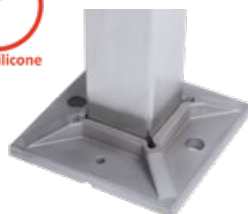
Weight:
3.03 kgs (6.66 lbs)



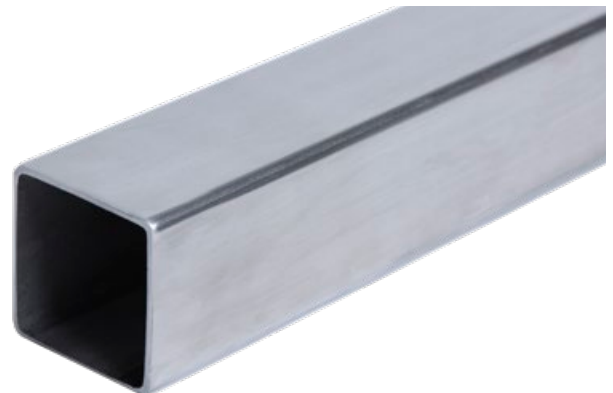
2 per location



Flange cover included



SQUARE SERIES | HANDRAIL | OPTIONS



COD.	Ø	L
AX20.004.071.3000.A.SP	40 x 40 x 2 mm	3000 mm (9'-10")
AX20.004.070.5800.A.SP	40 x 40 x 2 mm	5800 mm (19')

Square tube handrail/post

ROUND SERIES | POSTS | SUPPORTS | SADDLES

COD.	Ø	D
AX10.005.020.A.SP	42.4 x 2 mm	42.4 mm

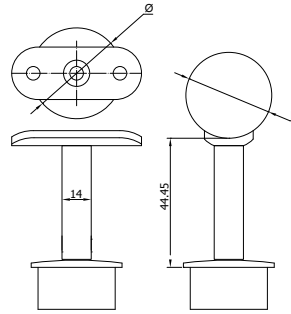
Post handrail support

Weight:
 .174 kgs (.383 lbs)

 Quick# 250X, 540X

Option: Use M5 pop rivets to attach handrail AX00.090.266.A.SP

2 per location



Round saddle included
 Flat saddles available



Threadlock



Anaerobic Adhesive

COD.	Ø	D
AX10.005.021.A.SP	42.4 x 2 mm	42.4 mm

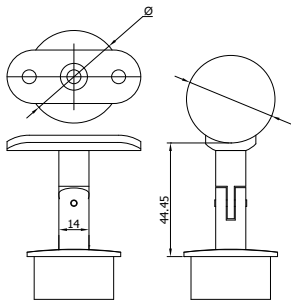
Post handrail support - adjustable

Weight:
 .164 kgs (.361 lbs)

 Quick# 250X, 540X

Option: Use M5 pop rivets to attach handrail AX00.090.266.A.SP

2 per location



Round saddle included
 Flat saddles available

20° - 90° adjustable



Threadlock



Anaerobic Adhesive

SQUARE SERIES | SUPPORTS | SADDLES

COD.	A	B
AX20.005.030.A.SP	flat	40 x 40 x 2 mm

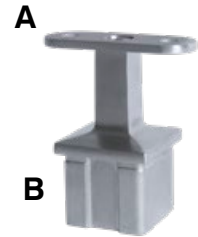
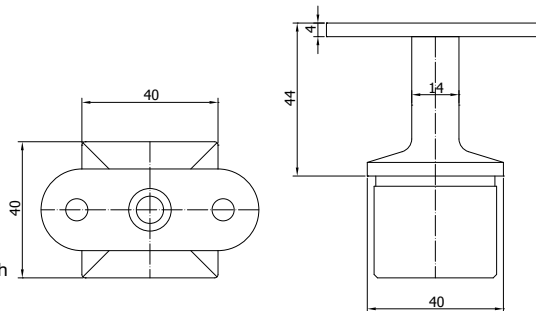
Post handrail support

Weight:
 .235 kgs (.517 lbs)

 Quick# 250X, 540X

Option: Use M5 pop rivets to attach handrail AX00.090.266.A.SP

2 per location



A

B



Threadlock



Anaerobic Adhesive

COD.	A	B
AX20.005.031.A.SP	flat	40 x 40 x 2 mm

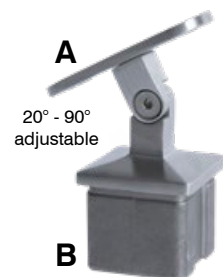
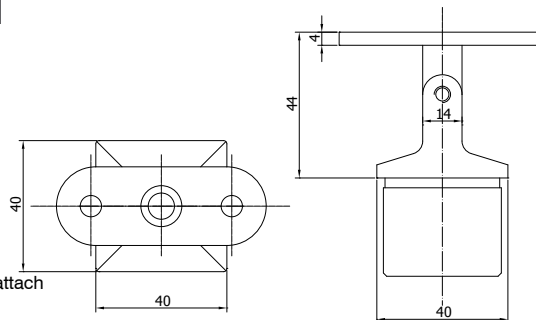
Adjustable post handrail support

Weight:
 .202 kgs (.444 lbs)

 Quick# 250X, 540X

Option: Use M5 pop rivets to attach handrail AX00.090.266.A.SP

2 per location



A

20° - 90° adjustable

B



Threadlock



Anaerobic Adhesive

ROUND SERIES | ROUND TUBE INFILL



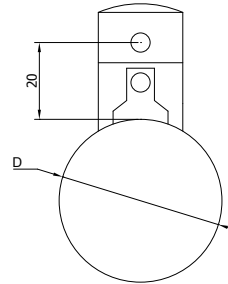
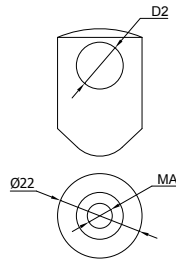
COD.	Ø	L	Wt.
AX10.009.83000.A.SP	12 x 1.5 mm	3000 mm (9'-10")	1.1 kgs (2.42 lbs)
AX10.009.85800.A.SP	12 x 1.5 mm	5800 mm (19')	2.1 kgs (4.64 lbs)

Round tube infill

COD.	D	D2	MA
AX10.010.200.A.SP	42.4 mm	12 mm	6.5 mm

Round tube infill holder

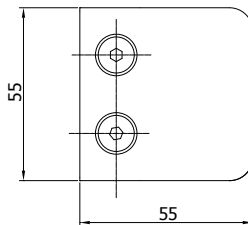
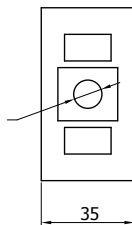
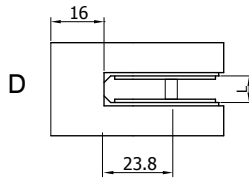
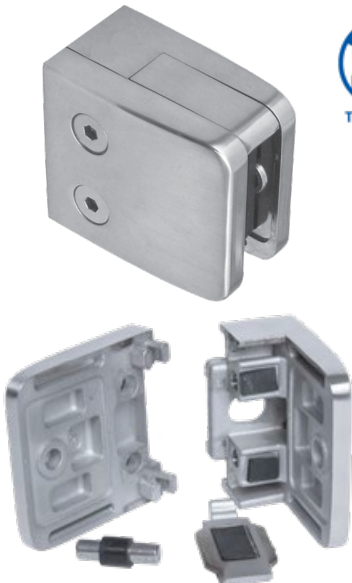
Weight:
.053 kgs (.117 lbs)



Quick# 260X

1 per location

SQUARE SERIES | GLASS CLAMPS



COD.	D	L
AX20.014.190.A.SP	flat	10 - 12.76 mm

Glass clamps for flat posts

Weight:
.328 kgs (.727 lbs)

Rubber inserts not included
Available for 3/8" & 1/2" monolithic glass

Quick# 255X, 830X

1 per location

Note: All glass on stairways and balconies are considered a hazardous location and requires the use of tempered glass.

Swift plate and safety pin included

Note: Safety pin or swift plate can be used to support glass.

ROUND SERIES | GLASS CLAMPS

COD.	Ø	L
AX10.014.180.A.SP	42.4 mm	10 - 12.76 mm

Glass clamps for round posts

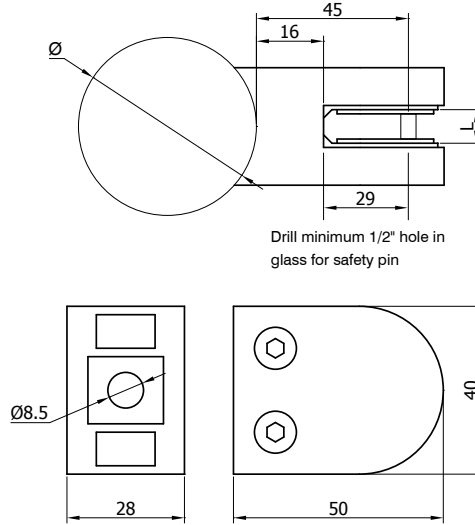
Weight:
 .303 kgs (.667 lbs)

Rubber inserts not included
 Available for 3/8" & 1/2" monolithic glass

 **Quick# 255X**

1 per location

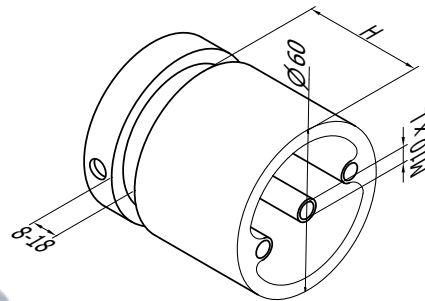
Note: All glass on stairways and balconies are considered a hazardous location and requires the use of tempered glass.



Swift plate and safety pin included

Note: Safety pin or swift plate can be used to support glass.

STANDOFF SERIES | ROUND



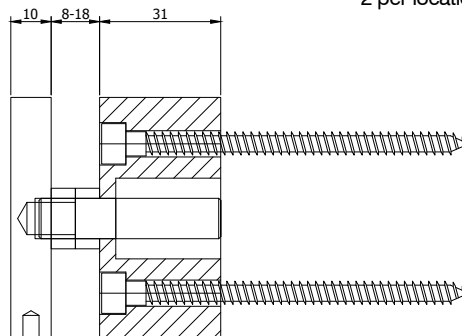
COD.	H	Glass Thickness
AX30.017.040.A.SP	30.1 mm	8-18 mm

Glass standoff - round

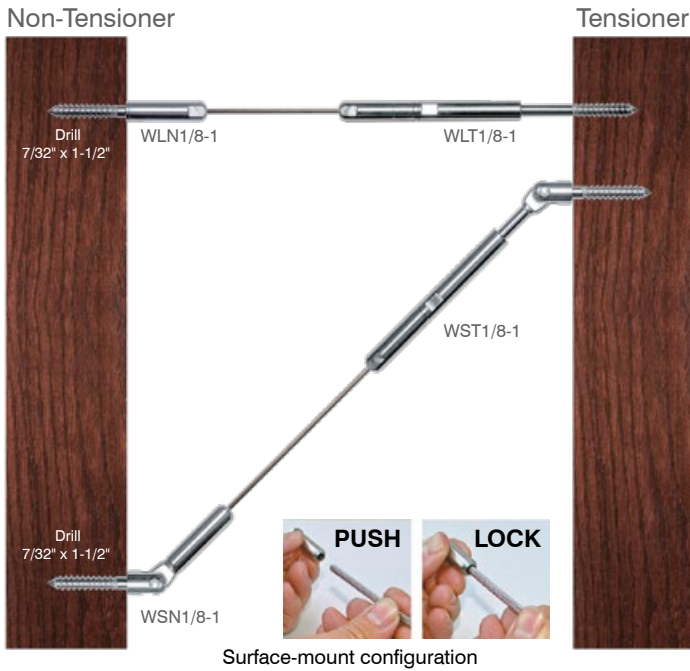
Weight:
 .543 kgs (1.17 lbs)

 **Quick# 900X, 905X**

2 per location



SWAGELESS CABLE INFILL FOR WOOD OR METAL POSTS

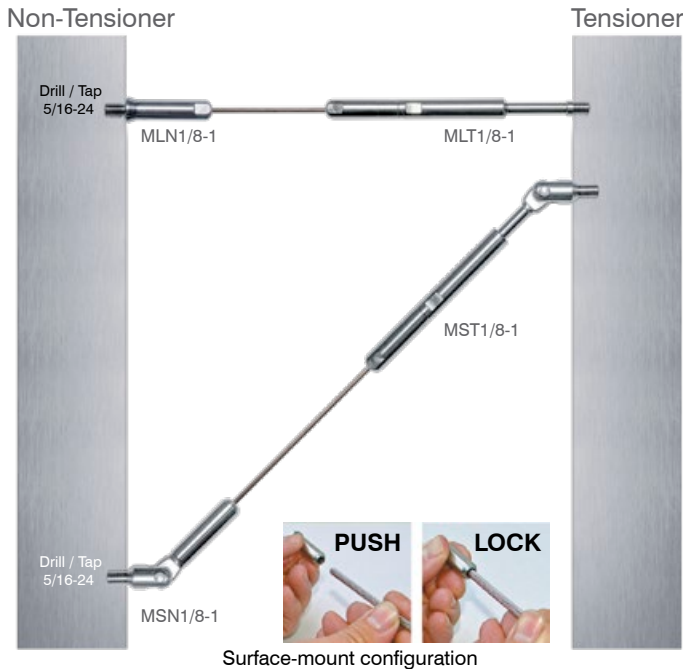
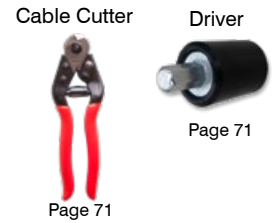


For use with 1/8" cable

COD.	Description	Wt.
WLN1/8-1	Wood Level Non Tensioner	.04 kgs (.092 lbs)
WLN1/8-10	Wood Level Non Tensioner(10 pack)	.31 kgs (.693 lbs)
WLT1/8-1	Wood Level Tensioner	.07 kgs (.173 lbs)
WLT1/8-10	Wood Level Tensioner(10 pack)	.68 kgs (1.5lbs)
WSN1/8-1	Wood Stair Non Tensioner	.06 kgs (.135 lbs)
WSN1/8-10	Wood Stair Non Tensioner(10 pack)	.5 kgs (1.12 lbs)
WST1/8-1	Wood Stair Tensioner	.09 kgs (.217 lbs)
WST1/8-10	Wood Stair Tensioner(10 pack)	.88 kgs (1.94 lbs)

Inside to inside
Level/balcony or angle/stair
Wood posts

Drill Kit **AX00.070.625**



For use with 1/8" cable

COD.	Description	Wt.
MLN1/8-1	Metal Level Non Tensioner	.04 kgs (.087 lbs)
MLN1/8-10	Metal Level Non Tensioner(10 pack)	.29 kgs (.638lbs)
MLT1/8-1	Metal Level Tensioner	.07 kgs (.158 lbs)
MLT1/8-10	Metal Level Tensioner(10 pack)	.61 kgs (1.349 lbs)
MSN1/8-1	Metal Stair Non Tensioner	.05 kgs (.118 lbs)
MSN1/8-10	Metal Stair Non Tensioner(10 pack)	.6 kgs (1.349 lbs)
MST1/8-1	Metal Stair Tensioner	.09 kgs (.202 lbs)
MST1/8-10	Metal Stair Tensioner(10 pack)	.81 kgs (1.793 lbs)

Inside to inside
Level/balcony or angle/stair
Metal posts

Drill Kit **AX00.070.650**
AX00.070.645

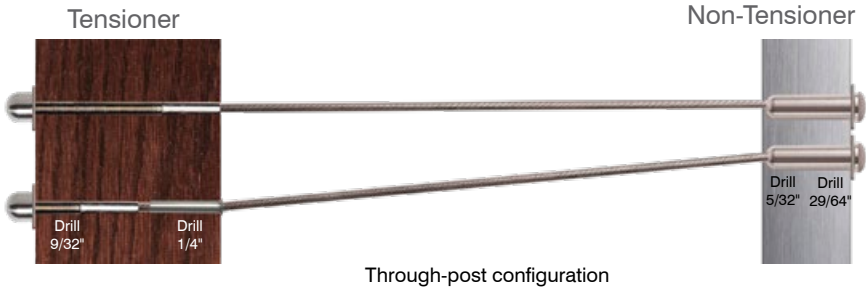


COD.	Description	Wt.
UTCABLE100-4	100' coil - 1/8" 1X19 type 316 S/S cable	2.07 kgs (4.56 lbs)
UTCABLE500-4	500' spool - 1/8" 1X19 type 316 S/S cable	10.02 kgs (22.1 lbs)

1x19 Cable(1/8" 316)

**MINIMUM BREAKING STRENGTH - Cable Diameter 1/8" = 1,780 lbs.
1X19 STRAND TYPE 316 STAINLESS STEEL CABLE**

SWAGED CABLE INFILL KITS FOR WOOD OR METAL POSTS



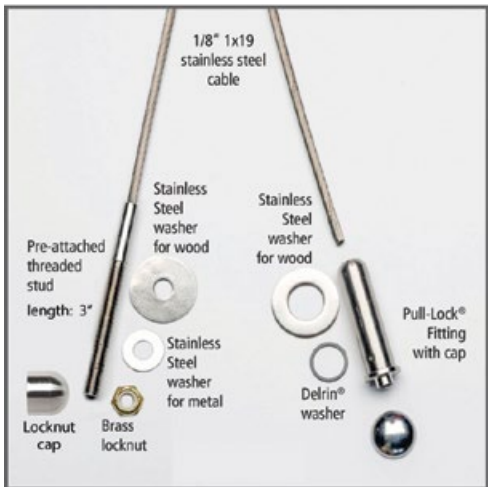
Through-post configuration

COD.	L	Wt.
HFC18.102-5	5'	.15 kgs (.331 lbs)
HFC18.102-10	10'	.227 kgs (.5 lbs)
HFC18.102-15	15'	.303 kgs (.669 lbs)
HFC18.102-20	20'	.383 kgs (.844 lbs)
HFC18.102-25	25'	.549 kgs (1.2 lbs)

Outside to outside
 Level/balcony or angle/stair
 Steel or wood posts

Drill Kit AX00.070.630
 AX00.070.635

Pre-assembled kit includes fittings and factory swaged cable in lengths 5'-25'



Included in kit



AISI 316

MINIMUM BREAKING STRENGTH - Cable Diameter 1/8" = 1,780 lbs.
 1X19 STRAND TYPE 316 STAINLESS STEEL CABLE



1 x 19 Cable - 1/8" Diameter

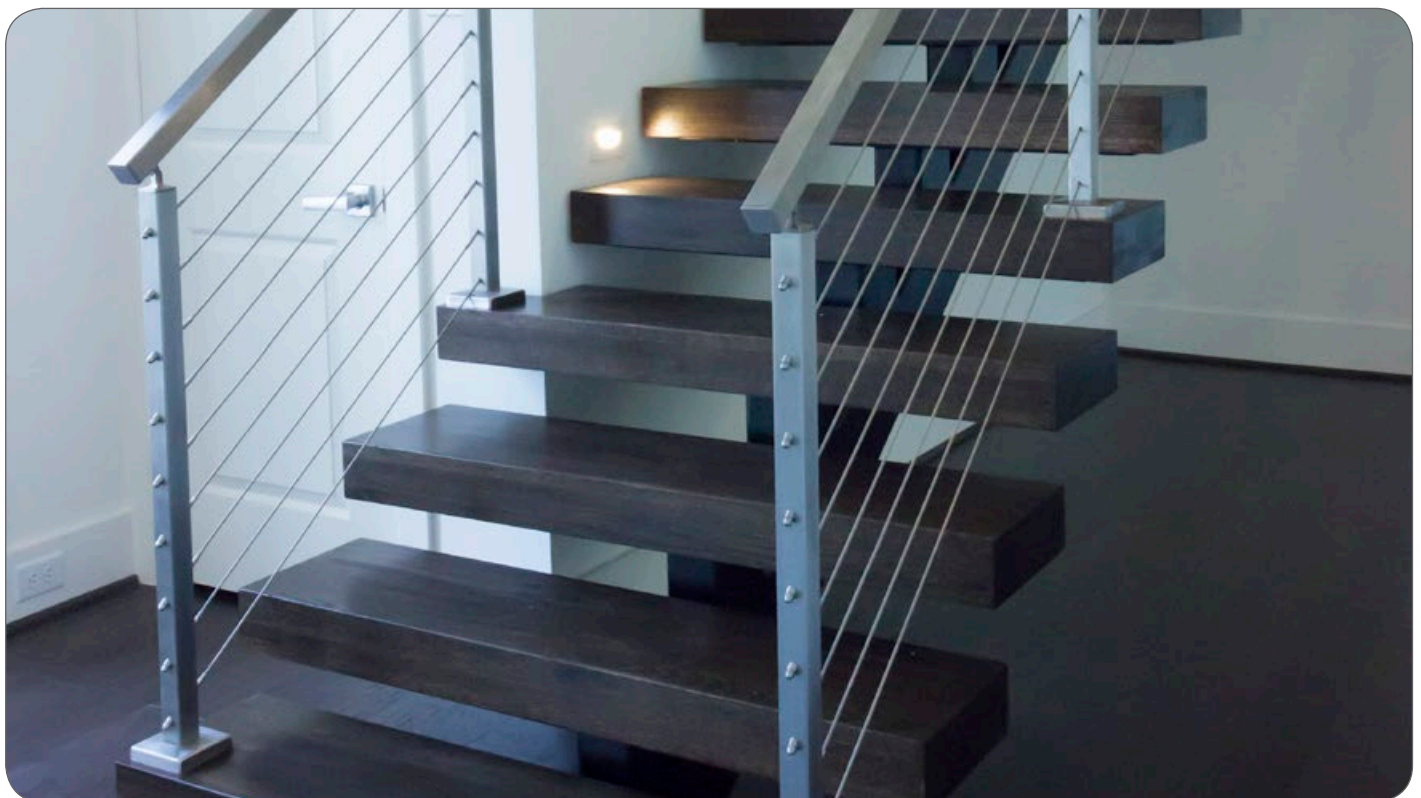
Cable Cutter



Cable cut-off wheel



Used to cut cable flush with the end of Pull-Lock fittings, and to cut excess threads of stud. Includes mandrel and two cut-off wheels.



CABLE INFILL - SWAGING REQUIRED - WOOD OR METAL POSTS



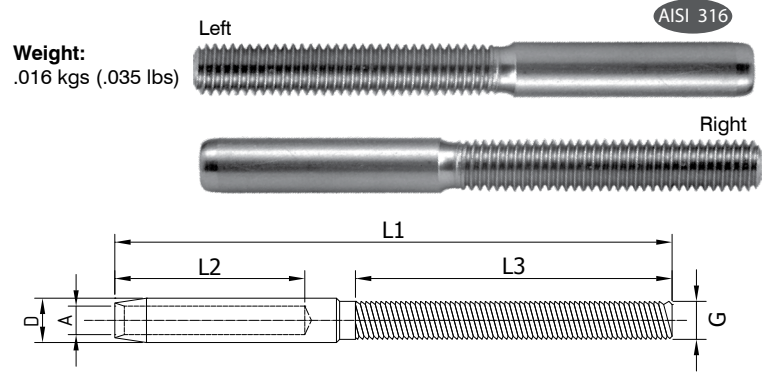
For use with 4mm cable

COD.	G	mm	L1	L2	L3	D	A	kg/100
AX00.050.221SX.B.SP	M6	4.0	88.0	30.0	50.0	7.0	4.5	1.2

Left handed cable terminal stud (SX)

AX00.050.220DX.B.SP	M6	4.0	88.0	30.0	50.0	7.0	4.5	1.2
----------------------------	----	-----	------	------	------	-----	-----	-----

Right handed cable terminal stud (DX)



Hydraulic crimper



Cable Cutter

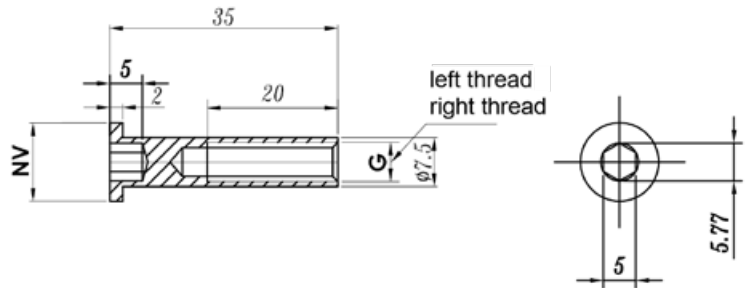


Drill Kit **AX00.070.610**

COD.	NV	G	kg/100
AX00.050.233SX.B.SP	12	M6	0.9 LEFT
AX00.050.232DX.B.SP	12	M6	0.9 RIGHT



For use with 4mm cable



COD.	Description
AX00.040.215.B.M	328' Spool - 4 mm 1X19 type 316 S/S cable

1x19 Cable - Bulk(4MM 316)

Weight:
8.5 kgs (18.73 lbs)

AISI 316



Available in 328' spool



Through-post configuration



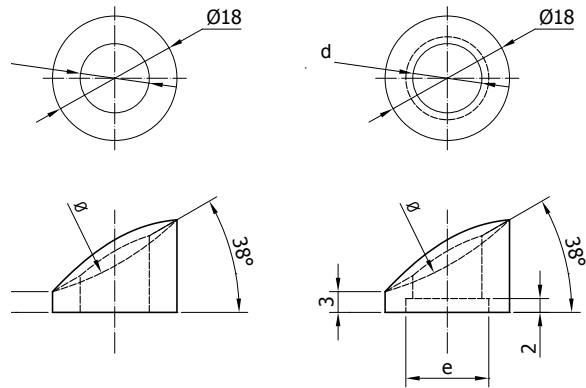
AISI 316

COD.	d	Ø	e
------	---	---	---

AX20.060.245.B.SP 12 mm 42.4 mm 14 mm FLAT

Sloping washer for square posts

Weight:
 .006 kgs (.013 lbs)



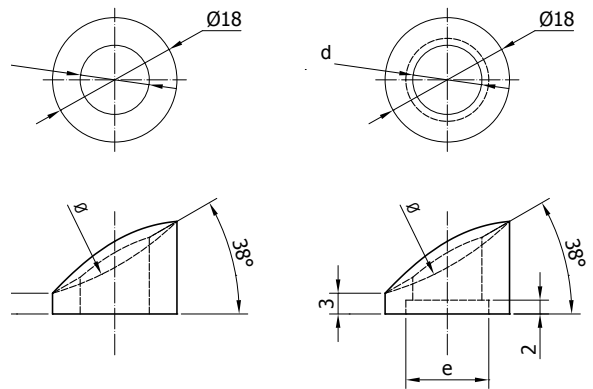
AISI 316

COD.	d	Ø	e
------	---	---	---

AX20.060.245.B.SP 12 mm 42.4 mm 14 mm FLAT

Sloping washer for round posts

Weight:
 .006 kgs (.013 lbs)



STAIR & RAILING PRODUCTS BY



VERSION 101521

1711 Cable Drive NE
Conover, NC 28613
Phone: 866-443-4848 Fax: 281-443-4848
www.houseofforgings.net