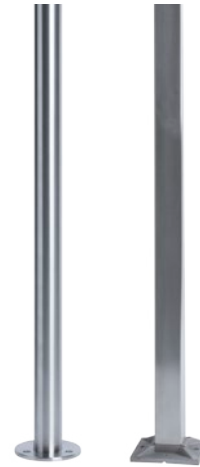


## Post Railing Systems

### NEWEL POST INSTALLATION

AX10.001.001.A.SP	(1 11/16" Round Floor Mounted Newel Posts)
AX20.001.010.A.SP	(1 9/16" Square Floor Mounted Newel Posts)
AX00.091.800.A.SP	(3/8 X 3 1/2" Wood Lag Bolt)
AX00.091.805.A.SP	(3/8 X 3 3/4" Drop in"Anchor (for Concrete)



### TOOLS REQUIRED

- 4' Level
- 3/4 Socket and Ratchet
- 1/4" Wood Drill Bit
- Tape Measure
- Blue Painters Tape
- Stainless Steel Cutting Saw (Cold Cut Saw, Bench top Portable Bandsaw, Chop Saw with Stainless Steel Cutting Blade)

For more detailed information on tools please visit:  
[www.axiarailing.com/recommended-tools](http://www.axiarailing.com/recommended-tools)

### STEPS REQUIRED

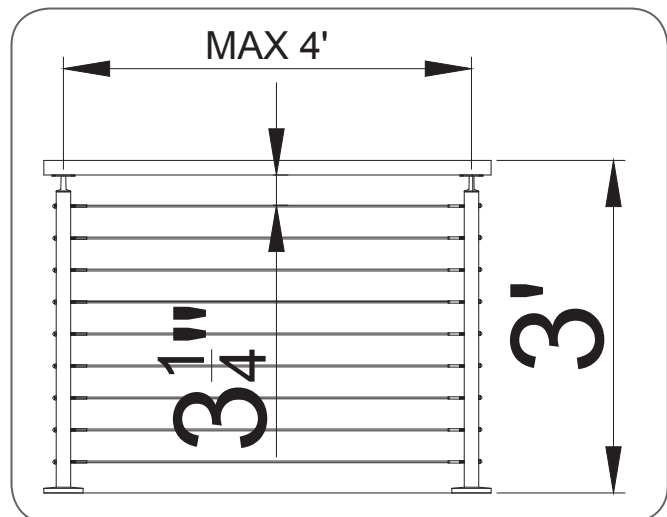
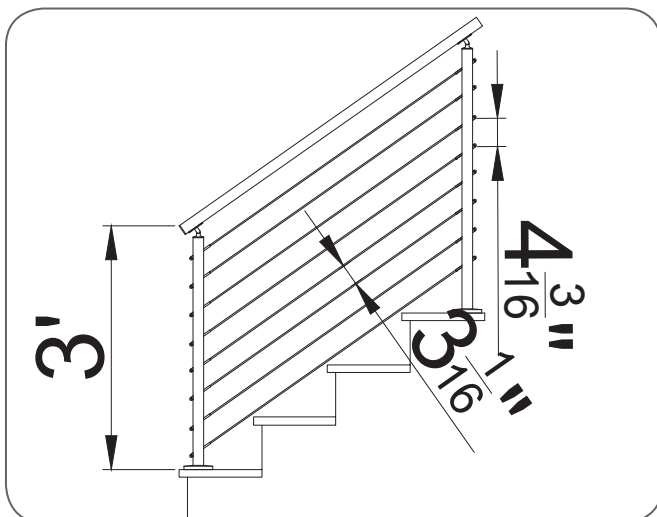
**Pro Tip!** Before you do anything, cover all stainless posts with blue painters tape to protect from scratches, this will also provide a surface to mark locations for drilling with a fine point sharpie pen.

#### 1. Determine Newel Post length and cut to length

Determine height of rail desired e.g. 34"-38" for residential stairs and min. 36" for balcony residential

Remember to deduct the amount of length for the rail support to sit on top of the post plus the size of the handrail tubing. Ex. 36" rail height: 36" – 1 3/4" for rail support – 1 9/16" for handrail tubing

Total length of balcony post would equal 32 11/16" long. Note; don't forget to deduct any floor cap from length. Height should be measure from finished floor. (see fig.)

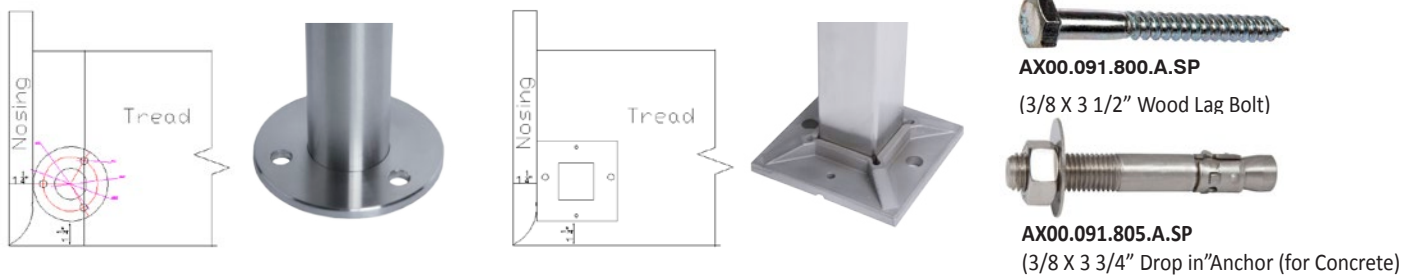


Cut at 90-degree angles exactly. To check fit of the cut slide rail support into tube and check gap between rail support and tube. If gap is more than a hairline gap and inconsistent around tube use a belt sander or grinder on top of newel post to grind the cut flat. During sanding/grinding check fit of rail support periodically as to not remove too much material.

## 2. Anchor newel posts to floor using appropriate anchor bolts e.g. wood lags for wood floor, concrete wedge anchors for concrete floor.

Drill Pilot  $\frac{1}{4}$ " hole "the size of the shaft of the anchor bolt" in each hole of the Newel Post Flange (wood lags only) Drill  $\frac{3}{8}$ " hole for concrete anchor bolts.

Be sure to align the newel post flange so that two screws on round posts are on the stair or balcony side of the railing parallel with the handrail to be installed.



**3. Install all anchor bolts in each hole of newel post.** Three bolts for round and two for square posts. Note; If anchor bolts are penetrating any waterproof deck please follow Waterproofing Co's suggested installation for anchor bolt penetrations. If no manufacturer is available after predrilling for anchor bolt fill hole up with 100% clear silicone sealant and install anchor bolt immediately.

**4. Check newel post for plumb vertically using a 4' Level.** Loosen anchor bolts to allow shims to slip under newel post flange. Install shim(s) to make post plumb. Retighten anchor bolts.



AX00.110.710

**5. Install appropriate rail supports in top of post.** Glue rail supports to posts using "Green" Anaerobic Adhesive. Liberally apply to entire surface of rail support sleeve. Install in post tubing. Remove rail support from tubing and check contact of glue with post. If all sides of post have glue on it then reinstall post rail support in post tube. If glue is not on one side of post apply more adhesive and repeat the process.



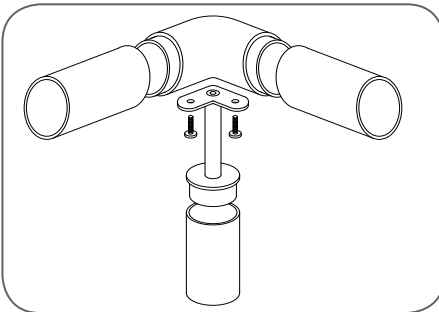
AX00.100.525

**6. Clean all excess glue with rag and cleaner immediately.** Use mineral spirits to clean any dry glue off stainless steel. Apply painters tape across the joint from rail support to post tube to prevent joint from spreading during glue drying. Do not remove tape from post and rail support until glue is dry (24 hours).



AX00.080.515

INSTALL APPROPRIATE SADDLES IF THEY ARE NOT ALREADY INSTALLED. E.G. FLAT SADDLES FOR FLAT WOOD OR METAL RAIL. CONCAVE SADDLES FOR ROUND RAILING.



For full instructions on attaching saddles to handrail see the following guide.

**HANDRAIL INSTALLATION**